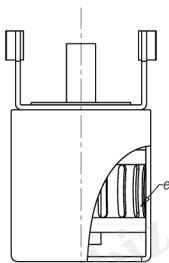


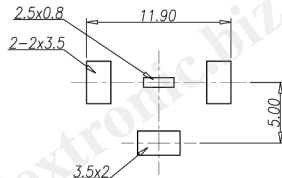
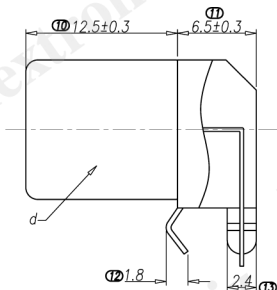
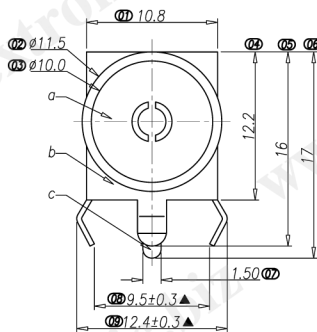
CATEGORY	DESCRIPTION	P/N #
CONNECTOR	TV9.5, FEMALE	RF010R-11P60-000F

△ A02 Outer Contact的厚度由0.4mm變更為0.2mm

REV.	ECN NO	DESCRIPTION	REVISED	DATE
A01		New Release	Luguan	2009.12.18
A02	ECN100317002	依實物修改圖面	GMC	2010.03.17



*▲ is important dimensions



Recommend PCB Layout
(Jack Top View)
Tolerance: ±0.05mm
Recommend PCB Thickness: 1.6mm

Product Drawing ALEXTRONIC

e	Ground sheet	1	1SH-RFF103-00	Phosphor Bronze, T=0.2mm(C5191)	CuSn Plating(80~120u")	
d	Outer Contact	1	1SH-RFF102-00	Brass, T=0.2mm(C2680)	CuSn Plating(80~120u")	
c	Center Pin	1	1TM-RFF101-00	Brass, T=0.3mm(C2680)	CuSn Plating(80~120u")	
b	Shell	1	1SH-RFF101-00	Brass, T=0.4mm(C2680)	CuSn Plating(80~120u")	
a	Housing	1	1HS-RFF101-00	PA66 UL94V-0	Black	
NO.	PART NAME	Q'TY	PART NUMBER	MATERIAL	PLATING & COLOR	Remark

UNLESS OTHERWISE SPECIFIED TOLERANCES		SCALE:1/1	UNIT: mm		DWG.NO:
		SIZE: A3	PAGE:1 OF 1	REV:A02	WI-061-789
DECIMALS: X :±0.3 X.X :±0.2 X.XX :±0.1 X.XXX :±0.05	ANGLES: X :±1° X.X :±0.5°	APPROVED BY	CHECKED BY	PREPARED BY	
		XZQ	PJ	GMC	
ENGINEERING COPY					